

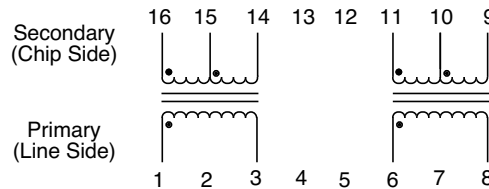
## EPR1261G

- Optimized for Leading Transceiver I.C.'s •
- Meets CCITT 1.430 Four Wire "S" Interface •
- Meets or exceeds UL1459, UL1950 Standards •
- 1500 Vrms Isolation (1 Minute) •

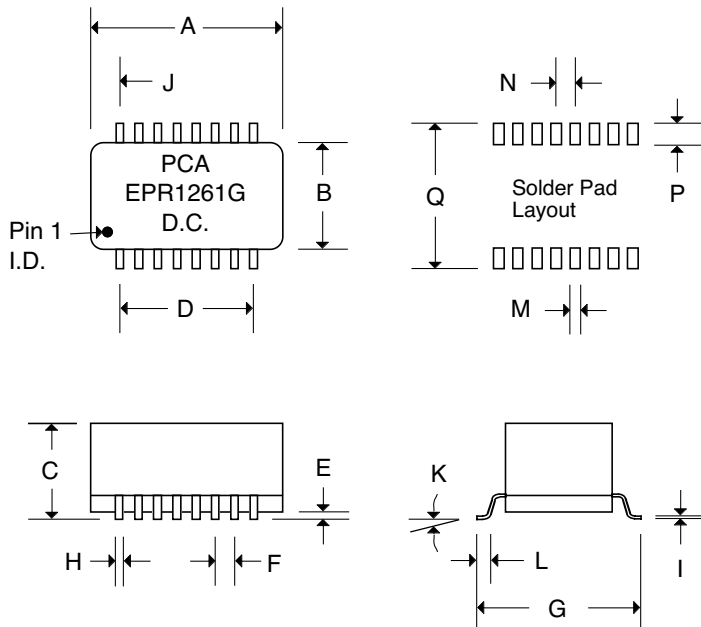
### Electrical Parameters @ 25° C

OCL (mH Min.)	Cw/w (pF Max.)	Leakage Inductance ( $\mu$ H Max.)	Turns Ratio	Pri. DCR ( $\Omega$ Max.)	Sec. DCR ( $\Omega$ Max.)	Primary Pins
@ 10 KHz, 1 Vrms	@ 100 KHz, .02 Vrms	@ 100 KHz, .02 Vrms	1:2CT	2.65	5	1,3/6,8
20	130	5	---	---	---	---
Pins 1-3 Pins 6-8	Pins 1-3 to 16-14 Pins 6-8 to 11-9	Pins 1-3 w/ 16-14 shorted Pins 6-8 w/ 11-9 shorted	---	---	---	---

### Schematic



### Package



### Dimensions

Dim.	(Inches)			(millimeters)		
	Min.	Max.	Nom.	Min.	Max.	Nom.
A	.930	.950	.940	23.62	24.14	23.88
B	.570	.590	.580	14.48	14.99	14.73
C	.385	.405	.395	9.78	10.29	10.03
D	---	---	.700	---	---	17.78
E	.005	.015	.010	.127	.381	.254
F	---	---	.100	---	---	2.54
G	.725	.745	.735	18.41	18.92	18.67
H	.018	.022	.020	.457	.559	.508
I	.008	.012	.010	.203	.305	.254
J	---	---	.120	---	---	3.05
K	0°	8°	---	0°	8°	---
L	.025	.045	.035	.635	1.14	.889
M	---	---	.030	---	---	.762
N	---	---	.100	---	---	2.54
P	---	---	.085	---	---	2.16
Q	---	---	.780	---	---	19.81